

MVB/MVB-FLC

MVB 4 poles - 1500/1800 rpm

	Description				Mechanical specifications					Electrical specifications					
	Code	Type	SIZE	150°C	Centrifugal force				Weight kg	Max input power W		Max. current A		I _A /I _N	
					50 Hz	60 Hz	50 Hz	60 Hz		50 Hz	60 Hz	400 V 50 Hz	460 V 60 Hz	50 Hz	60 Hz
three-phase	601226	MVB 1510/15	50	•	1500	1500	14.7	14.7	41.5	1100	1200	2.10	2.00	3.76	4.50
	601129	MVB 2500/15	60	•	2500	2500	24.5	24.5	67.0	2150	2700	3.90	4.10	5.60	5.81
	601130	MVB 4500/15	80	•	4500	4500	44.1	44.1	106	4000	4200	6.70	5.80	4.48	4.18
	601131	MVB 7000/15	90	•	7000	7000	68.7	68.7	160	7000	7000	11.8	10.2	6.19	6.73

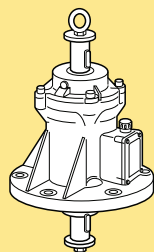
MVB-FLC 4 poles - 1500/1800 rpm

	Description					Mechanical specifications					Electrical specifications					
	Code	Type	SIZE	II2D Temp. class	150°C	Centrifugal force				Weight kg	Max input power W		Max. current A		I _A /I _N	
						50 Hz	60 Hz	50 Hz	60 Hz		50 Hz	60 Hz	400 V 50 Hz	460 V 60 Hz	50 Hz	60 Hz
three-phase	601225	MVB 1510/15-FLC	50	•	150°C	1500	1500	14.7	14.7	54.5	1100	1200	2.10	2.00	3.76	4.50
	601134	MVB 2500/15-FLC	60	•	/	2500	2500	24.5	24.5	67.0	2150	2700	3.90	4.10	5.60	5.81
	601135	MVB 4500/15-FLC	80	•	/	4500	4500	44.1	44.1	106	4000	4200	6.70	5.80	4.48	4.18
	601136	MVB 7000/15-FLC	90	•	/	7000	7000	68.7	68.7	160	7000	7000	11.8	10.2	6.19	6.73

I_A/I_N = ratio between start-up current and maximum current.

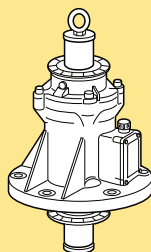
Versions

Version A



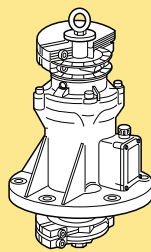
Basic model.

Version B



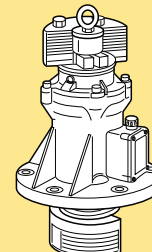
Basic model with angle disc.

Version C



Basic model with angle disc and weights type C (clamped).

Version D



Basic model with angle disc and weights type D (lamellar).

MVB/MVB-FLC

MVB 4 poles - 1500/1800 rpm

	Type	Fig.	Dimensional specifications (mm)												
			A	øB	øC	øD	Holes		E	F	G	øI	L	M	Cable entry thread
						øH	N°								
three-phase	MVB 1510/15	I	476	290	171	250	17	6	278	46	20	35	71	71	M25x1,5
	MVB 2500/15	I	587	350	224	305	21	6	294	54	27	40	71	71	M25x1,5
	MVB 4500/15	I	664	400	240	355	23.5	6	340	70	30	52	75	75	M25x1,5
	MVB 7000/15	I	740	508	314	438	25	8	388	88	34	52	79	79	M32x1,5

MVB-FLC 4 poles - 1500/1800 rpm

	Type	Fig.	Dimensional specifications (mm)													
			A	øB	øC	øD	Holes		E	F	G	I°	L	M	øN	Cable entry thread
						øH	N°									
three-phase	MVB 1510/15-FLC	L	476	350	260	305	21	6	174	150	27	30	71	71	35	M25x1,5
	MVB 2500/15-FLC	L	587	350	260	305	21	6	189	162	27	30	71	71	40	M25x1,5
	MVB 4500/15-FLC	L	664	400	310	355	23.5	6	220	190	30	15	75	75	52	M25x1,5
	MVB 7000/15-FLC	L	740	508	348	438	25	8	255.5	224.5	32.5	30	79	79	52	M32x1,5

Fig. I

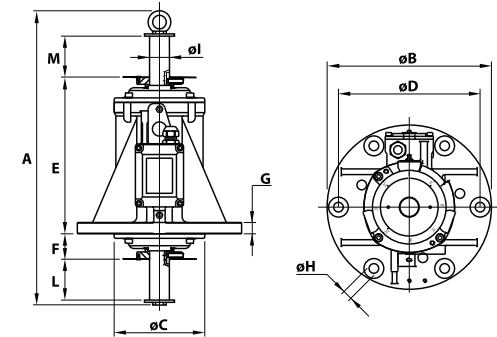
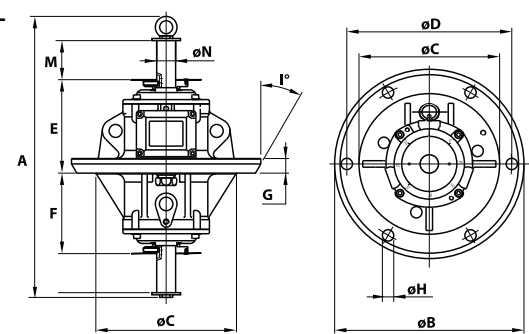


Fig. L

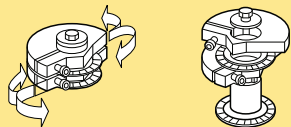


Versions

Each C type weight group (in twos) is adjustable by phase shifting one in respect to the other. Each D type weight group (lamellars) is adjustable by removing one or more lamellar elements.

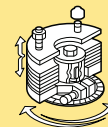
Weight adjustment: the weights at the two ends of the shaft can be staggered as required, with reference to the graduated discs on the shaft itself.

Type "C"



Infinitely adjustable centrifugal force

Type "D"



Centrifugal force adjustable from max. to min. by removing the lamellar weights.